

# HL0231 LED Fog Light with DRL



**Perfect for upgrading existing lighting, or for new vehicles – the HL02 range of 90mm LED lighting caters for all needs and specifications...**

## **Key features**

- 90mm LED fog light
- Integral daytime running lamp function
- 500 lumen output fog light; 420 lumens for DRL
- Energy efficient (0.7A @ 12VDC; 0.35A @ 24VDC)
- Part of an extended range of front and rear lighting
- Designed to operate in extreme environments and temperatures
- Fully E approved for road use
- IP69K protected
- Dual-voltage (10-30v)

---

## **Order code**

**HL0231-5-3-AA**

Part of a series of lamps, the HL0231 fog light has a built-in DRL to complete your installation...

**Function information**

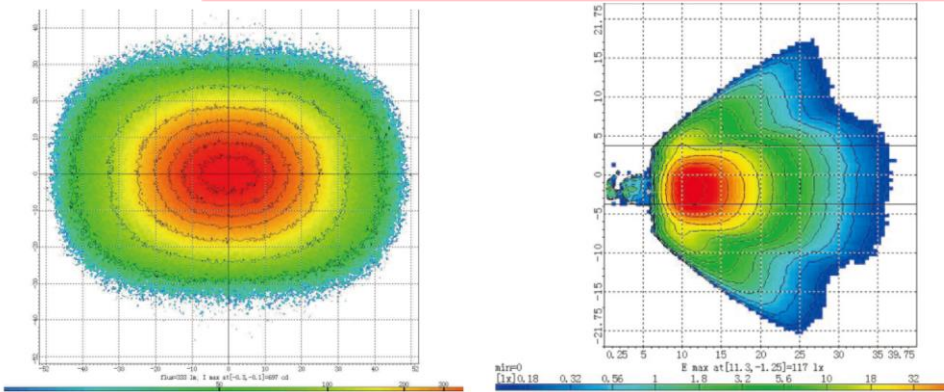
Function	Wattage	LEDs	Approval(s)
Fog light	50w	10	ECE R19; ECE R10
Daytime running light	10w	1	ECE R87; ECE R10

**Beam information**

Plan energy distribution for the beams are as follows:

DRL beam pattern

Fog light beam pattern

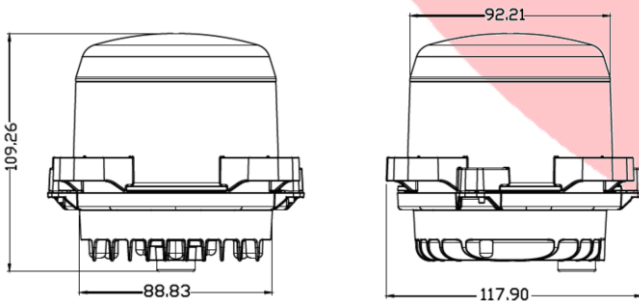


**Material information**

The lamp is constructed from an aluminium alloy housing, with a UV-stabilised polycarbonate outer lens. This ensures reliability when operating between -40°C and +65°C.

**Dimensional information**

Size: 118mm diameter (including bracketry) x 109mm deep



sales@lite-wire.com  
+44 (0)1842 812290

British designers, manufacturers & assemblers of automotive lighting & electrical systems

