

WL201 Series LED Work lamp



Small and compact with 2,200 raw lumen output – the WL201 is suitable for all vehicles in any environment...

Key features

- LED work lamp
- 4x 5W Osram LED emitters
- 5000-6500K colour temperature
- Supplied as standard with sheathed cable, or specify with AMP or Deutsch connector
- Aluminium body construction with epoxy encapsulated electronics and UV-stabilised polycarbonate lens
- ECE Regulation 10 approved
- CISPR 25 Class 3 approved (optional)
- IP69K protected
- Dual-voltage

Order code

WL201SZZ-5-9-AA

Powerful and rugged – the LITE-wire range of LED work lamps keep you working well after the daylight has gone...

Specification information

Function	Wattage	LEDs	Approval(s)
Work light	20w	4	ECE R10; CISPR 25 Class 3 (optional)

Wiring information

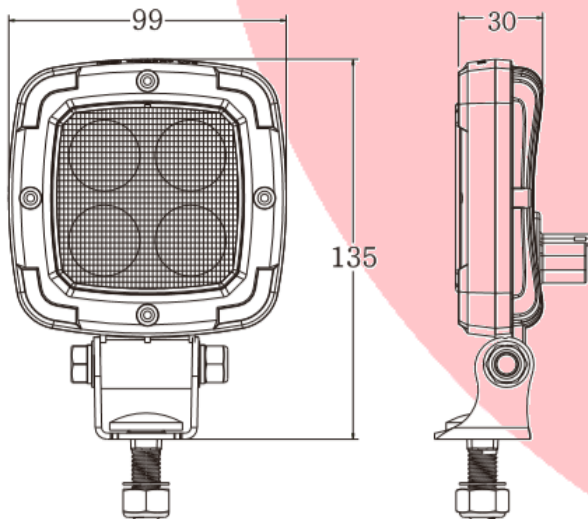
All functions are to be wired using a 12 or 24v source (+VDC), with the exception of the ground. The ground needs to be a reliable connection, such as directly to the vehicle chassis or battery connection.

Approval information

The lamp holds multiple type approvals. These cover the light output and build quality, as well as electro-magnetic compatibility requirements. Further details of the ECE regulations that may apply to your vehicle or desired application are available on request.

Dimensional information

Size: 135 (h) x 99 (w) x 30 (d) mm



sales@lite-wire.com
+44 (0)1842 812290

British designers, manufacturers & assemblers
of automotive lighting & electrical systems

 **LITE-wire**[®]
Automotive Systems